



Round Sight Glass

PN 2.5

For welding, similar to DIN 28120

**Type
318**

Application:

Observation and illumination of the interior of enclosed vessels (boilers, tanks, silos etc.).

Sight glasses consist of round flange mountings to be welded into or onto a vessel, completed by a sight glass plate with appropriate seals.

Similar to DIN 28120

Light construction

Pressures up to 2.5 bar

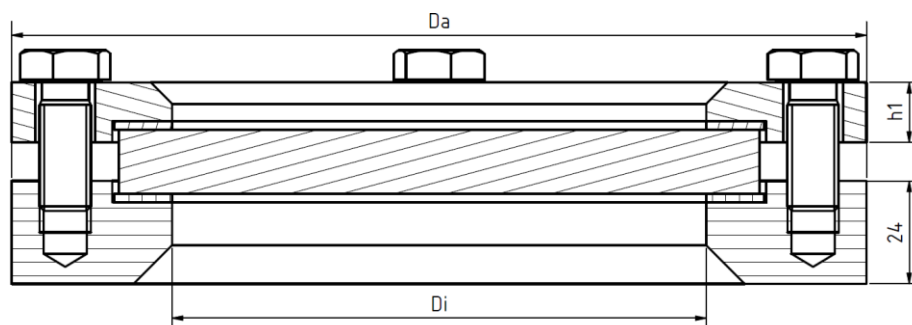
Operating conditions:

temperature:	150	°C
(abhängig von Glasauswahl)	280	°C
Pressure:	2.5	Bar

Materials:

Flange:	1.4571 (Base Flange) 1.4541 (Cover Flange)
Glass:	Borosilicate glass DIN 7081 Soda Lime Glass DIN 8903
Seal:	C4400 PTFE Silicone
Bolts:	A4-70

Other materials on request



DN	50	80	100	125	150	200
Da	150	175	200	220	250	300
Di	80	100	125	150	175	225
h1	12	14	14	16	16	16
kg	3,8	5,2	6,1	7,2	8,9	11,5
Nm	37	52	63	44	48	55



Installation guideline:

After welding the base flange onto/into the pressure vessel, the sealing surface must be checked for deformations! Reworking may be required!

The pressure rating does not consider the base flange. This will have to be audited together with the pressure vessel according to AD 2000 instructions B9 or equivalent standard!

Technical changes and errors reserved!



Round Sight Glass

PN 2.5

For welding, similar to DIN 28120

**Type
318**

Product Code:

		DN	Flange	Glass	Seal	Variants
11	318	Acc. To Table	1: 1.4541 / 1.4571	1: BS Transparent 2: SL transparent 3: Quartz 4: BS + PTFE Wiper 5: BS + Sil. Wiper	1: PTFE 2: FKM 3: NBR 4: C4400 5: Silicone 6: EPDM 7: Graphite 8: Special	Assigned by ACI as needed

Special constructions/Options

- a) Wiper
- b) Double layered glass
- c) LED Lights
- d) O Ring Seal (vacuum capable)
- e) Additional special constructions on request

Example: **ACI Type 318**
 DN100
 Flange 1.4571 / 1.4541 11-318-100-1-1-1-000
 Borosilicate glass
 Seal PTFE
 Standard Construction

Recommendation:

For corrosive media or steam, we recommend adding a mica disk to protect the glass!

Technical changes and errors reserved!