



# Round Sight Glass

PN 6

For welding, similar to DIN 28120

**Type  
319**

## Application:

Observation and illumination of the interior of enclosed vessels (cauldrons, tanks, silos etc.).

Sight glasses consist of round flange mountings to be welded into or onto a vessel, completed by a sight glass plate with appropriate seals.

Similar to DIN 28120

Light construction

Operating pressure up to  
6 bar

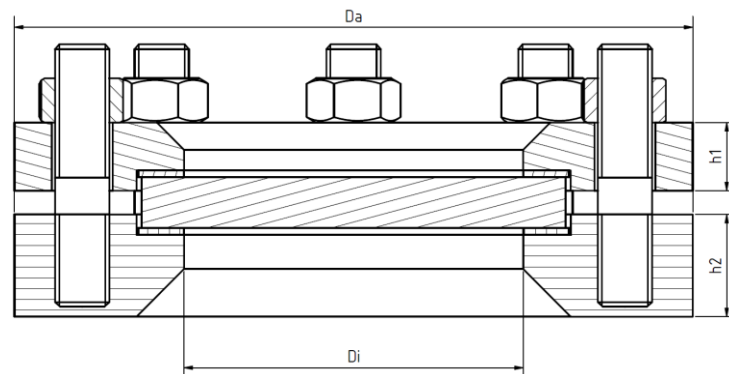
## Operating conditions:

Temperature:	150	°C
(depending on glass)	280	°C
Pressure:	6	Bar

## Materials:

Flange:	1.4571 (Base flange) 1.4541 (Cover flange)
glass:	Borosilicate glass DIN 7080 Soda Lime Glass DIN 8902
Seal:	C4400 PTFE Graphite Or according to spec.
bolts:	A4-70

Other materials on request



DN	25	40	50	80	100	125	150	200
Da	115	150	165	200	220	250	285	340
Di	48	65	80	100	125	150	175	225
h1	16	16	16	20	22	25	30	35
h2	25	30	30	30	30	30	36	36
kg.			5.9	9.3	10.5	14.0	20.9	29.6
Nm			55	55	55	55	107	107



## Installation guideline:

After welding the base flange onto/into the pressure vessel, the sealing surface must be checked for deformations! Reworking may be required!

The operating pressure does not apply to the base flange. The base flange must be audited together with the pressure vessel according to AD 2000 instructions B9 or an equivalent standard!

Technical changes and errors reserved!



# Round Sight Glass

PN 6

For welding, similar to DIN 28120

**Type  
319**

Product code:

		DN	Flange	Glass	Seal	Variants
11	319	Acc. To table	1: 1.4571 / 1.4541 2: 1.4571 / 1.4571 3: 1.4404 / 1.4541 4: 1.4404 / 1.4404 5: 1.4404 / 1.4571 6: 1.4306 / 1.4306 7: P265GH / S235JR+N 8: Other mat.(For example Hastelloy) On request	1: BS Transparent 2: SL Transparent 3: Quartz 4: BS + PTFE Wiper 5: BS + Sil. Wiper	1: PTFE 2: FKM 3: NBR 4: C4400 5: Silicone 6: EPDM 7: Graphite 8: Special	Assigned by ACI as required

## Options

- a) Wiper
- b) Spray nozzle
- c) Double layered glass
- d) LED Lights
- e) O Ring seal (vacuum capable)
- f) Additional options on request

Example:

### ACI Type 319

DN100

Flange 1.4571 / 1.4541

Borosilicate glass

PTFE seal

Standard construction

11-319-100-1-1-1-000

## Recommendation:

For corrosive media or steam, we recommend adding a mica disk to protect the glass.

Technical changes and errors reserved!