



Round Sight Glass

Metal to metal contact seal

Flange mounted according to DIN 28121

**Type
321**

Application:

Observation and illumination of enclosed vessels (boilers, tanks, silos etc.)
DIN 28121 Sight glasses are round flange fittings compatible with PN10/25. Sealing is provided by a flexible seal, with metal to metal contact providing the necessary compression.

**DIN 28121
Operating Pressure
10 or 25 bar**

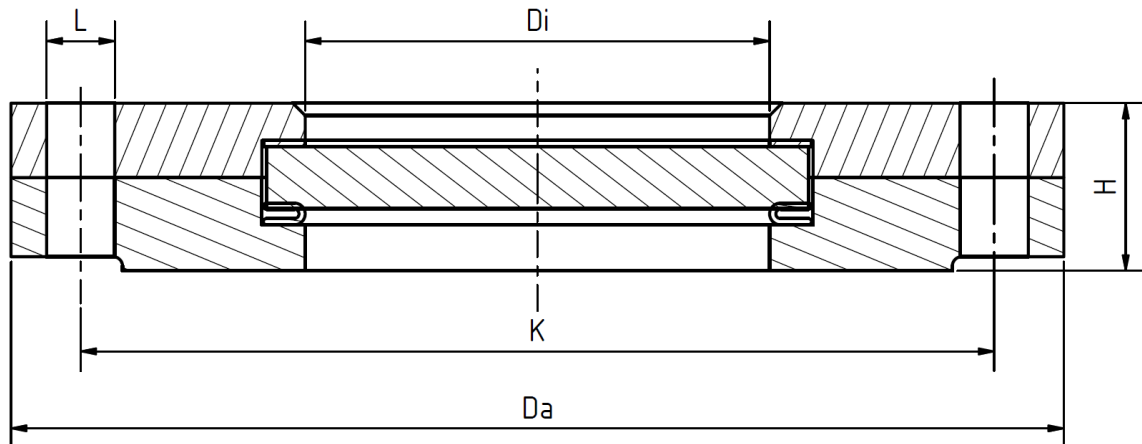
Operating Conditions:

Temperature:	200	°C
pressure:	10	Bar
	25	Bar

Materials:

Flange:	1.4571, P235GH
Glass:	Borosilicate glass DIN 7080
Seal:	PTFE-enclosed resilient gasket
screws:	A4-70

Other materials on request



DN	40	50	80	100	125	150	200
Di	48	65	80	100	125	125	150
H (PN10)	36	38	46	46	54	54	54
H (PN25)	38	41	50	59	66	37,2	37,2
Da	According to DIN EN 1092-1						
L							
K							



Installation guideline:

Flange mounting is considered and required for operation according to specifications.

Technical changes and errors reserved!

	<h1>Round Sight Glass</h1> <p>Metal to metal contact seal Flange mounted according to DIN 28121</p>	<h1>Type 321</h1>
---	--	-----------------------

Product code:

		PN	DN	flange	Glass	Seal	Variants
11	321	10 25	Acc. To table	1: 1.4571 / 1.4571	1: BS Transparent 2: SL Transparent 3: Quartz 4: BS + PTFE Wiper 5: BS + Sil. Wiper	1: PTFE	Assigned by ACI as required

Options

- a) Wiper
- b) Spray nozzle
- c) Double Glass
- d) Double glass and heating element
- e) LED lights
- f) Protective coating, version B acc. DIN 28121
- g) O-Ring-Seal (vacuum capable)
- h) Additional options on request

ACI Type 321

PN10
DN100

Example: Flansch 1.4571 / 1.4571 11-321-10-100-1-1-1-0
Borosilicate glass
seal PTFE
standard construction

Recommendation:
For corrosive media or steam we recommend adding a mica disk to protect the glass.

Technical changes and errors reserved!