



Sight Glass

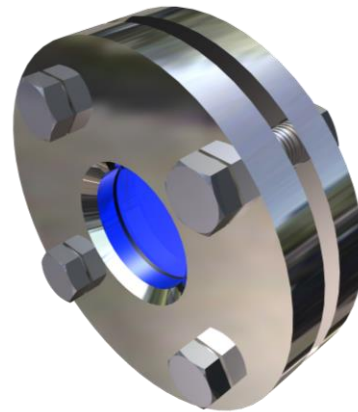
Flange Type

For welding

Type
390

Application:

Sight Glass Flanges with welding neck are suitable for welding on pipes, boilers, tanks and devices of all kinds. They can be installed wherever visual observation of filling processes or flows is desired. Equally suitable for liquids and gases, they are especially recommended for special constructions in several applications.

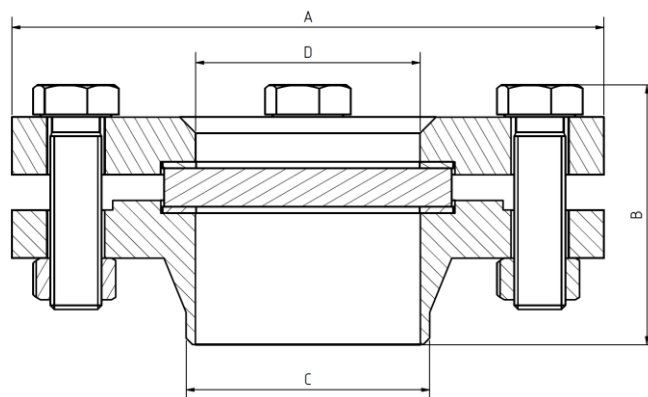


PN16, PN25, PN40

Materials:

Flange:	S235JRG2 1.4571
Glass:	Borosilicate glass DIN 7080 (max. 280°C) Soda Lime Glass DIN 8902 (max. 150°C) Quartz Glass (max. 500°C, Special construction)
Seal:	C4400 Graphite PTFE NBR Viton

Other materials on request



Installation guideline:
Mounting the Sight Glass will influence the vessel mechanically. This has to be considered during design according to AD 2000 instruction B9!

DN	25	40	50	65	80	100	125	150	200	300	350
A	115	150	165	185	200	220	250	285	340	460	520
B	67,5	74	79	81	91	96	108	115,5	129,5	177	179
C	33,7 x2,6	48,3 x2,6	60,3 x2,9	76,1 x2,9	88,9 x3,2	114,3 x3,6	139,7 x4	168,3 x4,5	219,1 x5,9	323,9 x7,1	355,6 x8
D	28,5	43,1	55	70,1	82,5	107	131,7	160	207	310	340
Kg (ca.)	4.4	4.5	5.8	7.0	9.3	10.5	14.4	19.0	28.5	60.5	84.5

(Sizes for PN16, other standards available)

Technical changes and errors reserved!



Sight Glass

Flange Type

For welding

Type

390

Product Code:

	DN	PN	Flange	Glass	Seal	Variants	
11	390	Acc. To table	16 40	1: S235JRG 2: 1.4571 3: Base flange VA, Cover flange St. 4: Base flange St., Cover flange VA 5: Duplex	1: Borosilicate glass 2: Soda Lime Glass 3: Quartz 4: BS + PTFE Wiper 5: BS + Sil. Wiper	1: PTFE 2: Viton 3: NBR 4: C4400 5: Silicone 6: EPDM 7: Graphite 8: Special	Assigned by ACI as required

ACI Type 390

DN100

Flange 1.4571

Example:

Borosilicate glass

Seal PTFE

Standard construction

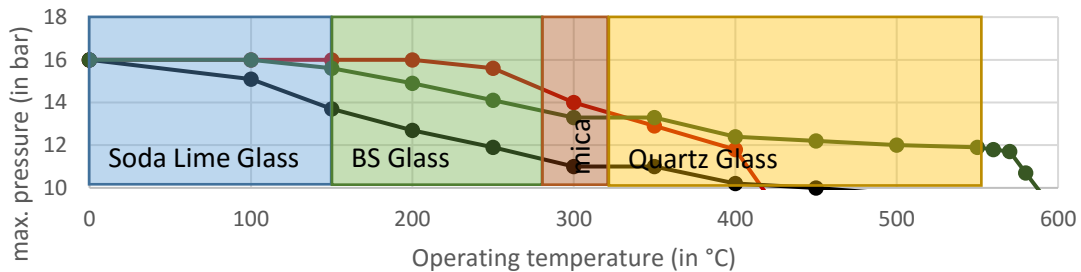
11-390-100-2-1-1-000

Caution!

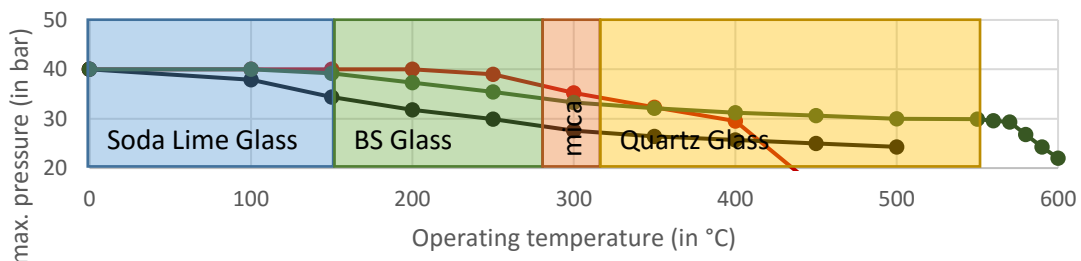
Observe the Pressure-Temperature ratings according to
DIN EN 1092-1!

For steam or corrosive media we recommend mica disks!

temperature dependence of max. pressure for PN 16



temperature dependence of max. pressure for PN 40



● 3E1 (P265GH / 1.0425) ● 13E0 (1.4404) ● 15E0 (1.4571)

Technical changes and errors reserved!