



Vacuum Sight Glass

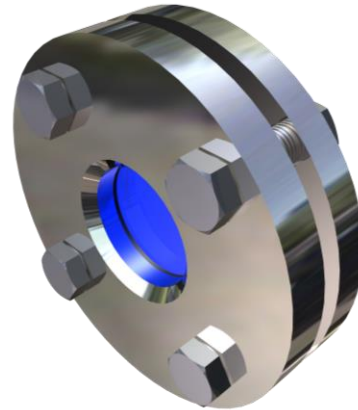
Flanged version

For welding

Type
390V

Application:

Sight Glass Flanges with welding neck are suitable for welding on pipes, boilers, tanks and devices of all kinds. They can be installed wherever visual observation of filling processes or flows is desired. Equally suitable for liquids and gases, they are especially recommended for special constructions in several applications.

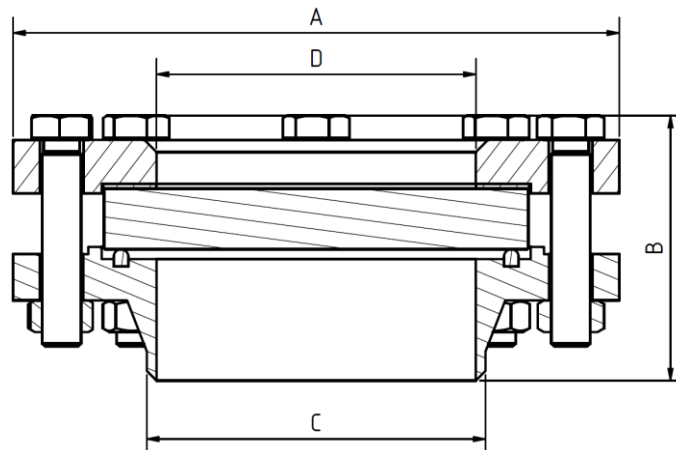


Materials:

Flange:	S235JRG2 1.4571
Glass:	Borosilicate glass (max. 280°C) Soda Lime Glass (max. 150°C)
Seal:	O-Ring

Other materials on request

**PN16,
vacuum capable**



DN	25	40	50	65	80	100	125	150	200	300	350
A	115	150	165	185	200	220	250	285	340	460	520
B	67,5	74	79	81	91	96	108	115,5	129,5	177	179
C	33,7 x2,6	48,3 x2,6	60,3 x2,9	76,1 x2,9	88,9 x3,2	114,3 x3,6	139,7 x4	168,3 x4,5	219,1 x5,9	323,9 x7,1	355,6 x8
D	28,5	43,1	55	70,1	82,5	107	131,7	160	207	310	340

(Measurements for PN16, other standards on request)

Technische Änderungen und Fehler vorbehalten!

	Vacuum Sight Glass Flanged version For welding	Type 390V
---	---	----------------------------

Product Code:

		DN	Flange	Glas	Seal	Variants
11	390V	Acc. To table	1: S235JRG 2: 1.4571 3: Base Flange VA, Cover Flange St. 4: Base Flange St., Cover Flange VA 5: Duplex	1: Borosilicate glass 2: Soda Lime glass 3: Quartz 4: BS + PTFE Wiper 5: BS + Sil. Wiper	1: PTFE 2: Viton 3: NBR 5: Silicone 6: EPDM 8: Special	Assigned by ACI as required

Example: **ACI Type 390V**
DN100
Flange 1.4571
Borosilicate glass
Seal PTFE
Standardausführung

11-390V-100-2-1-1-000

Recommendation:
For corrosive media or steam, we recommend mica disks to protect the glass!

Technische Änderungen und Fehler vorbehalten!