



Sight Glass

With Thread Connection (BSP)

PN16

Type
392

Application:

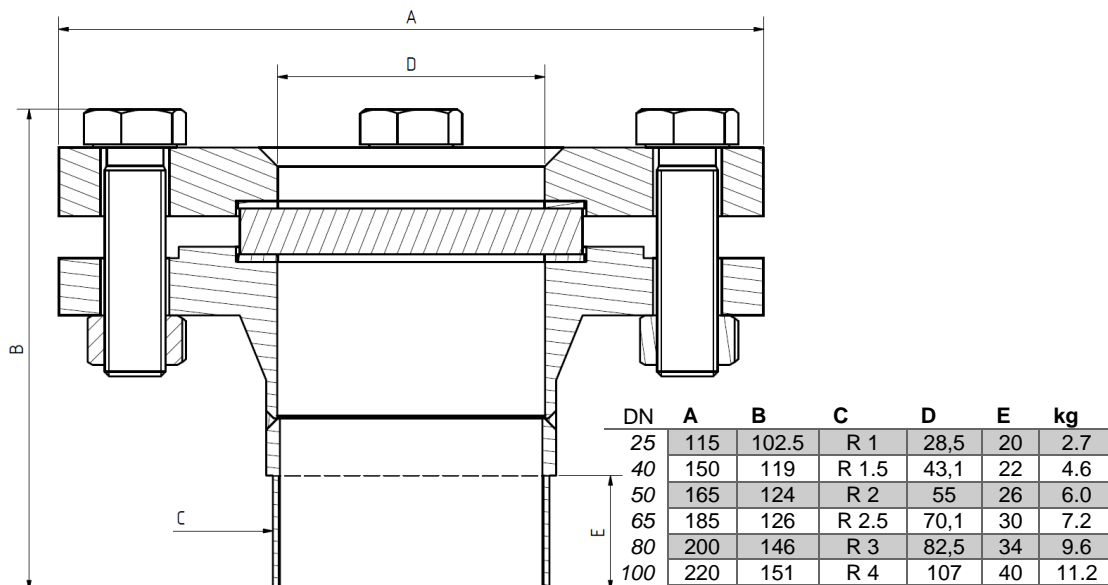
Sight Glass Flanges with threaded connection are suitable for installation on pipes, boilers, tanks and devices of all kinds. They can be installed wherever visual observation of filling processes or flows is desired. Equally suitable for liquids and gases, they are especially recommended for special constructions in several applications.



Materials:

Flange:	S235JRG2 1.4571
Glass:	Borosilicate glass DIN 7080 (max. 280°C) Soda Lime Glass DIN 8902 (max. 150°C) Quartz Glass (max. 500°C, Special construction)
Dichtung:	C4400 Graphite PTFE NBR Viton

Other materials on request



(Measurements for PN 16. Other sizes and threading standards available on request)

Technical changes and errors reserved!



Sight Glass

With Thread Connection (BSP)
PN16

Type
392

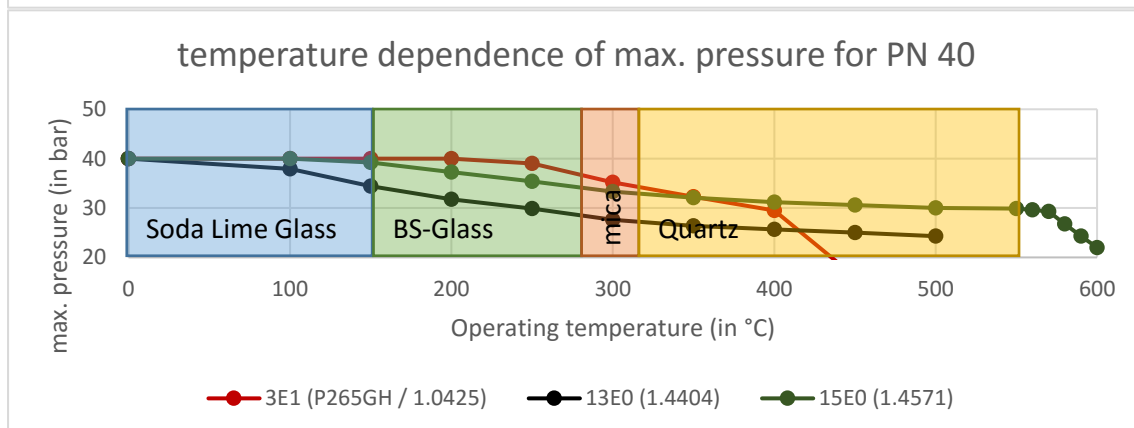
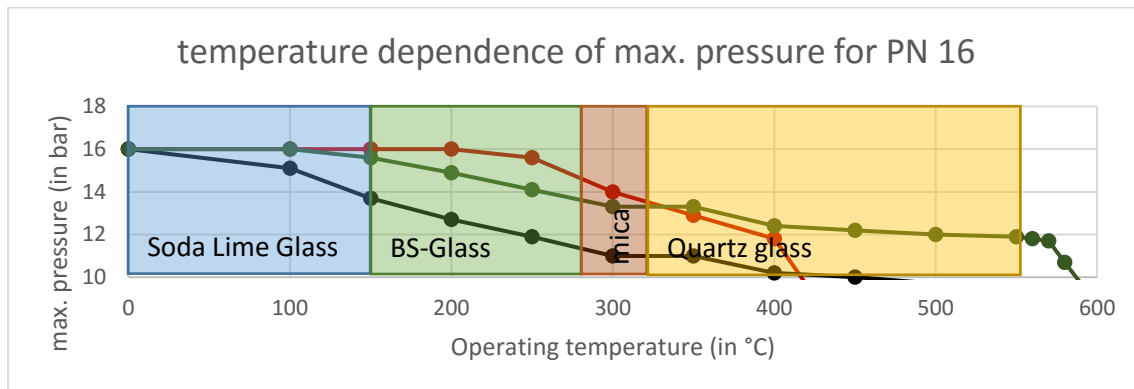
Product Code:

	DN	Flange	Glass	Seal	Variants	
11	392	Acc. To table	1: S235JRG 2: 1.4571 3: Base flange VA, Cover flange St. 4: Base flange St., Cover flange VA 5: Duplex	1: Borosilicate glass 2: Soda Lime glass 5: Quartz glass 6: BS + PTFE Wiper 7: BS + Sil. Wiper	1: PTFE 2: Viton 3: NBR 4: C4400 5: Silicone 6: EPDM 7: Graphite 8: Special	Assigned by ACI as required

Example: **ACI Type 392**
DN100
Flange 1.4571
Borosilicate glass
Seal PTFE
Standard construction

11-392-100-2-1-1-000

Caution!
Observe pressure-temperature ratings acc. to DIN EN 1092-1!
For corrosive media or steam, we recommend mica disks!



Technical changes and errors reserved!