



Sight Flange flange

ANSI Slip On Flange version

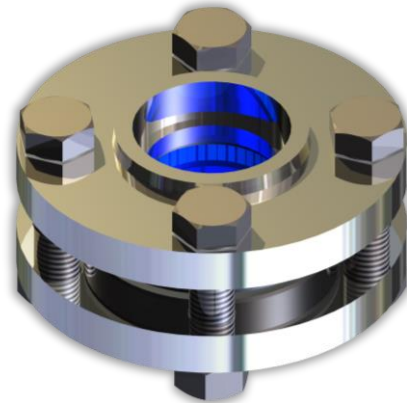
For welding

Type

393

Application:

Slip On Sight Glass Flanges are suitable for T-junctions or pipe sockets. Possible uses include any case where visual inspection of flow or filling processes is desired. Since they are equally suited for liquids and gases, they are useful for special construction in any industry.



Materials:

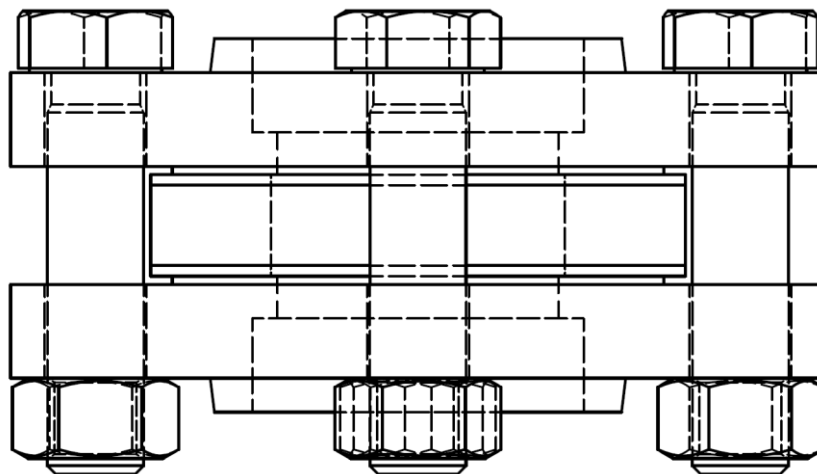
Flange: S235JRG2
1.4571

Glass: Borosilicate glass DIN 7080
(max. 280°C)
Soda Lime Glass DIN 8902
(max. 150°C)
Quartz Glass
(max. 500°C, Special Construction)

Dichtung: C4400
Graphite
PTFE
NBR
Viton

Caution!
Sight Glass must be
disassembled for welding!

Other materials on request



All lengths according to ANSI standard!

Technical changes and errors reserved!



Sight Flange flange

ANSI Slip On Flange version
For welding

Type
393

Produktcode:

		DN	Class	Flange	Glass	Seal
11	393	Acc. To standard	Acc. To standard	1: S235JRG 2: 1.4571 5: Duplex	1: borosilicate glass 2: Soda Lime Glass 5: Quartz Glass	1: PTFE 2: Viton 3: NBR 4: C4400 5: Silicone 6: EPDM 7: Graphite 8: Special

Example: **ACI Type 393**
2", #150
Flange 1.4571
Borosilicate glass
Seal PTFE

11-393-002-150-2-1-1

Recommendation!
For corrosive media or steam we recommend mica disks!

Technical changes and errors reserved!