



High Pressure Sight Glass

With welding ends, up to 1000 bar

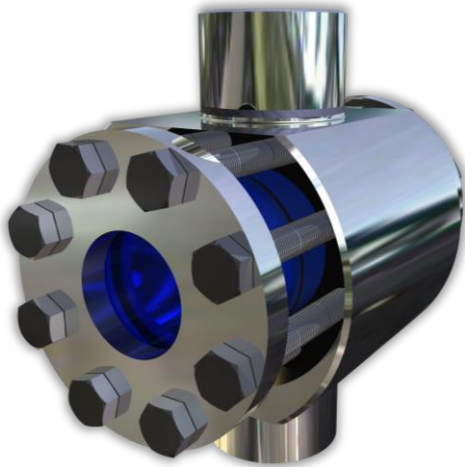
Type 521

Application:

For observation of filling and flow in piping. The Sight Glass enables a reliable survey of function and performance of single devices and complete plants.

Up to 1000 bar, max.
280°C

Special constructions for
higher temperatures
available on request!

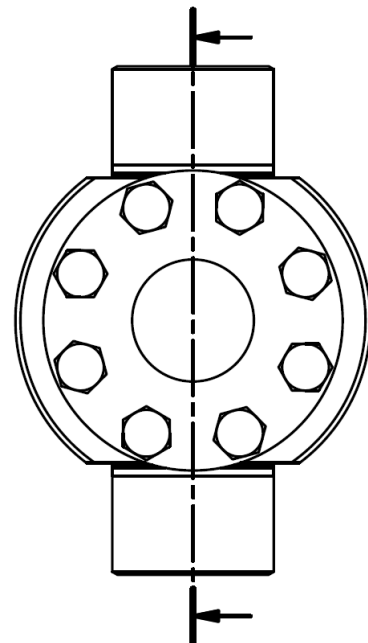
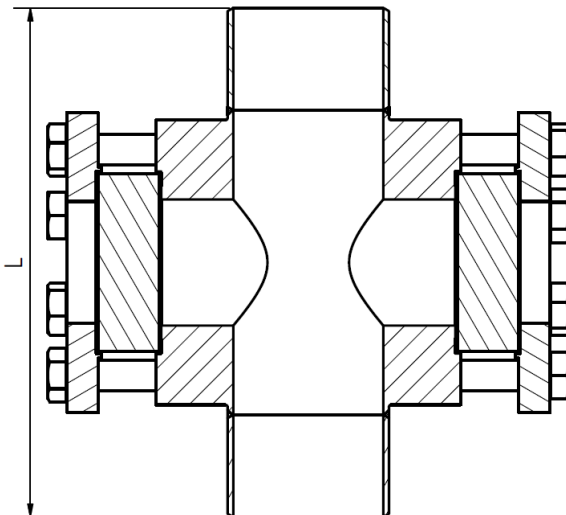


Materials:

Body:	Any weldable material
Glass:	Borosilicate glass DIN 7080 Quartz glass Mica sheets META®-Glass Sapphire glass
Seal:	Graphite MST

Other materials available on request

Length:	DIN EN 558-1 (if possible)
Welding ends	Acc. To pressure
Special measurements available on request.	
Viewport in general 1 nominal size below connection size.	



Technical changes and errors reserved!



High Pressure Sight Glass

With welding ends, up to 1000 bar

Type 521

Produktcode:

		DN	PN	Glass	Seal
11	521	Acc. To standard	Desired Pressure	1: Borosilicate 2: Soda Lime Glass 5: Quartz glass 6: BS + Mica	1: PTFE 2: Viton 3: NBR 4: C4400 5: Silicone 6: EPDM 7: Graphite 8: Special

ACI Type 521

PN160

DN150

Glass Borosilicate

Seal Graphite

Standard construction

Example:

11-521-150-160-1-7

Caution!

Some combinations of geometry and material might be unavailable!

Please contact us in any case before order!

Recommendation:

For corrosive media or steam, we recommend mica disks.

Technical changes and errors reserved!