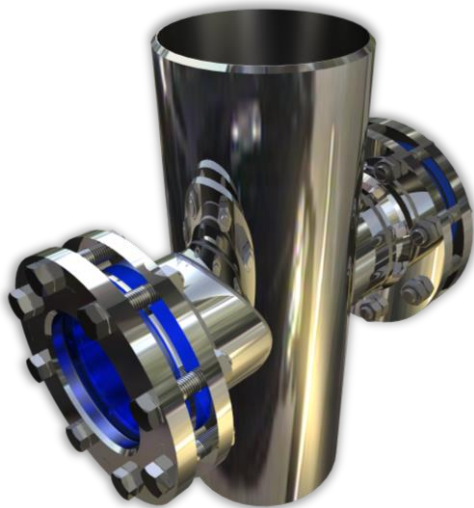
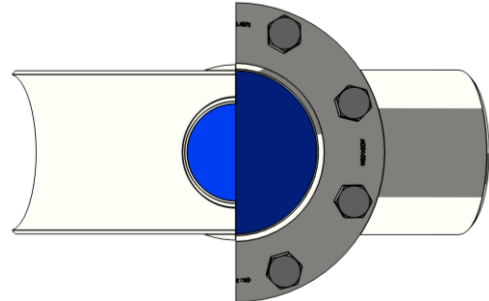


Application:

Visual survey of flow and filling processes in piping. The sight glasses allow for a reliable observation of function and performance of single devices or complete plants. With this design, no significant amount of liquid will remain in the sight glass when installed horizontally. With standard sight glasses, liquid will remain in the sight glass body. This liquid will drain out with this design.

No liquid traps!

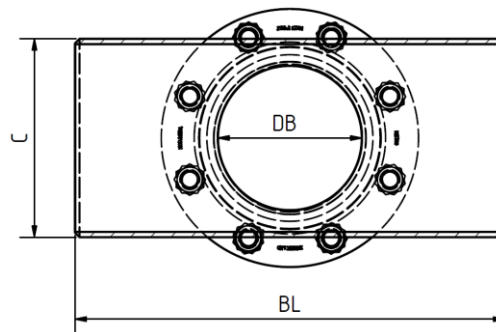


Materials:

Body	1.4571 1.4404 Steel
Glass:	Borosilicate glass DIN 7080 Soda lime glass DIN 8902 Quartz Glass META®-Glass
Seal:	Graphite MST or as chosen Other materials on request

Operating conditions:

Pressure:	PN16 PN40
Temperature:	150°C (DIN 8902) 280°C (DIN 7080)



DN	40	50	80	100	125	150	200	250	300	350	400
BL	200	230	310	350	400	480	600	730	850	980	1100
DB	37	42	64	77	77	100	119	140	140	140	140
C	48,3 x2,6	60,3 x2,9	88,9 x3,2	114,3 x3,6	139,7 x4	168,3 x4,5	219,1 x6,3	273 x7,1	323,9 x8	355,6 x8,8	406,4 x11

Technical changes and errors reserved!



Flow Sight Glass

With welding connections

Type 531

Product code:

		DN	PN	Body	Glass	Seal	Variants
11	531	Acc. To talbe	1: 16 2: 40	1: 1.4571 2: 1.4404 3: P265GH	1: Borosilicate Glass 2: Soda Lime Glass 5: Quartz Glass 6: META®-Glass 7: BS + PTFE Wiper 8: BS + Sil. Wiper	1: PTFE 2: Viton 3: NBR 4: C4400 5: Silicone 6: EPDM 7: Graphite 8: Special	Assigned by ACI as required

ACI Type 531

DN 200

PN16

Example:

Body 1.4571

11-531-200-1-1-1-7-00

Borosilicate glass

Graphite seal

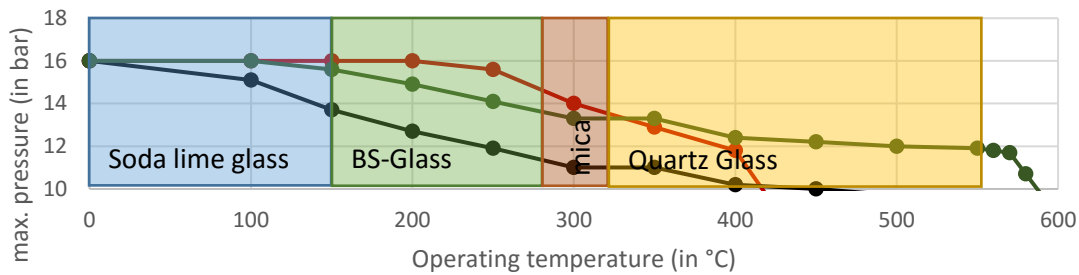
Standard construction

Caution!

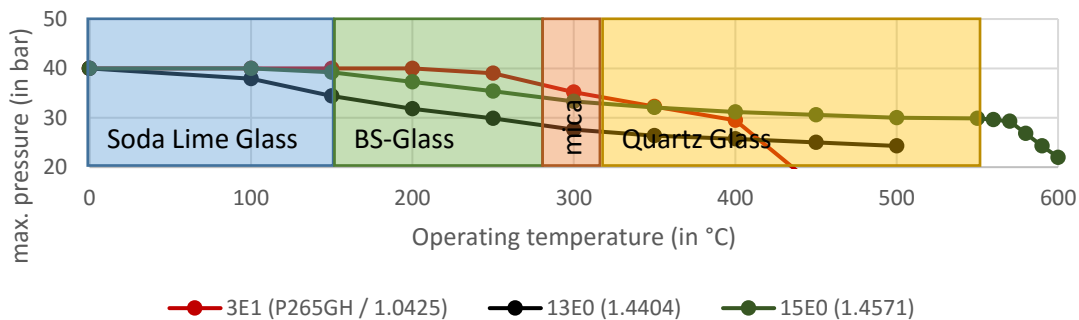
Observe pressure-temperature ratings acc. to DIN EN 1092-1!

For corrosive media or steam we recommend mica disks!

temperature dependence of max. pressure for PN 16



temperature dependence of max. pressure for PN 40



● 3E1 (P265GH / 1.0425) ● 13E0 (1.4404) ● 15E0 (1.4571)

Technical changes and errors reserved!