



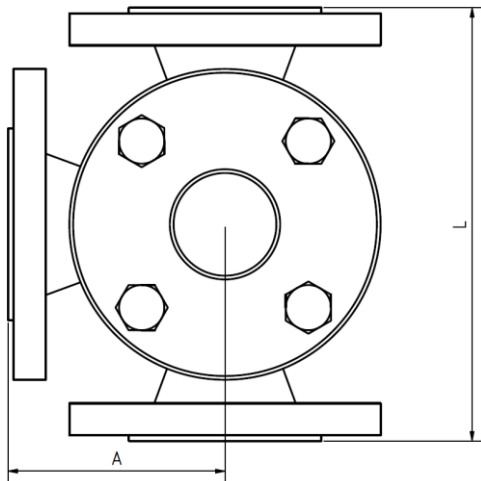
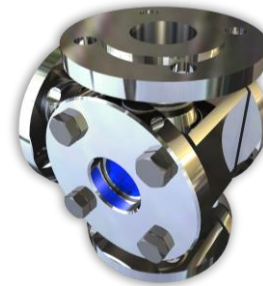
# Three Way Sight Glass

With flanged connections

**Type  
590**

## Application:

For visual inspection of fillings and flows in pipes. Sight glasses allow a reliable monitoring of the functioning and performance of individual devices as well as the entire process.



## Materials:

Body	1.4571
	1.4404
	Steel
Glass:	Borosilicate glass DIN 7080
	Soda Lime Glass DIN 8902
	Quartz glass
	META®-Glass
Seal:	Graphite MST or as chosen
	Other materials on request

## Operating conditions:

pressure:	PN16
	PN40
Temperature:	150°C (DIN 8902)
	280°C (DIN 7080)

DN	15	20	25	40	50	65	80	100
L	200	230	310	350	400	480	600	730
A	100	115	155	175	200	240	300	365

*Other sizes on request*

**High pressure version:**  
Available on request.

**Recommendation:**  
For corrosive media or steam, mica disks should be used.

Technical changes and errors reserved!

