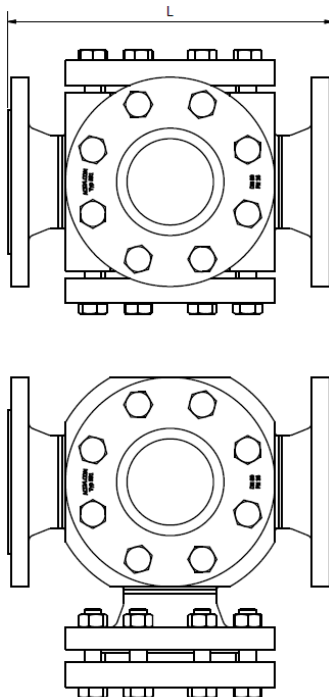
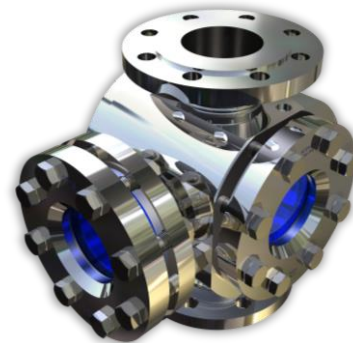


Application:

Visual Checking of Filling and Flows in Piping. Sight Glasses allow for reliable Observation of Function and Performance in single devices or complete plants.

Type 591 allows observation of the flow from three sides without sacrificing stability.



Materials:

Body	1.4571 1.4404 Steel
------	---------------------------

Glass:	Borosilicate glass DIN 7080 Soda Lime glass DIN 8902 Quartz glass META®-Glass
--------	--

Seal:	Graphite MST or as specified Other materials on request
-------	--

Operating conditions:

Pressure:	PN16 PN40
-----------	--------------

Temperature:	150°C (DIN 8902) 280°C (DIN 7080)
--------------	--------------------------------------

DN	40	50	65	80	100
L	350	400	480	600	730

Other sizes on request

High Pressure Version:
Available on request.

Recommendation:
For aggressive media or steam, mica disks should be added to protect the glass.



Flow sight glass

With three viewports

Type 591

Product Code:

		DN	PN	Body	Glass	Seal	Variants
11	591	Acc. To table	1: 16 2: 40	1: 1.4571 2: 1.4404 3: P265GH	1: borosilicate glass 2: soda lime glass 5: Quartz glass 6: META®-Glass	1: PTFE 2: Viton 3: NBR 4: C4400 5: Silikon 6: EPDM 7: Graphit 8: Sonder	Assigned by ACI as required

ACI Type 591

DN 200

PN16

Example:

Body 1.4571

11-591-200-1-1-1-7-00

Borosilicate glass

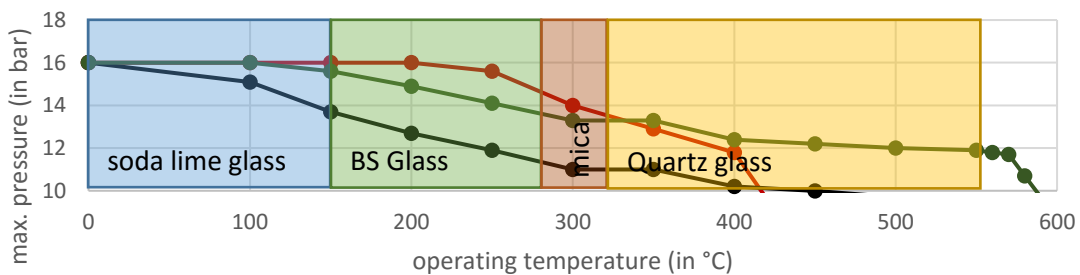
Graphite seal

Standard construction

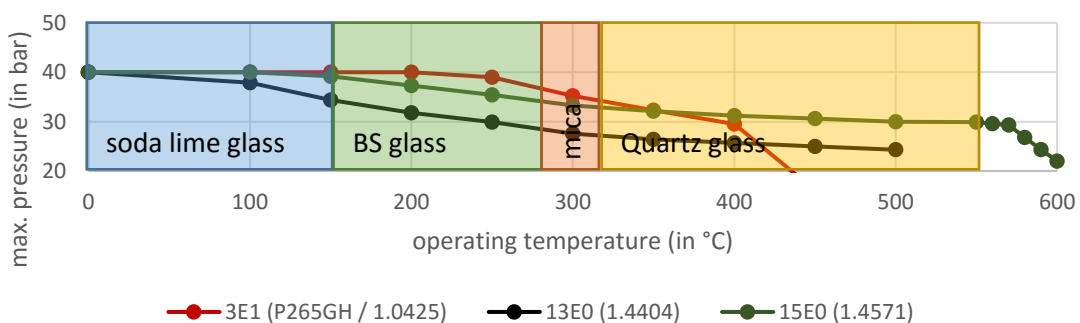
Caution!

Observe pressure temperature ratings according to DIN EN 1092-1!

temperature dependence of max. pressure for PN 16



temperature dependence of max. pressure for PN 40



Technical changes and errors reserved!